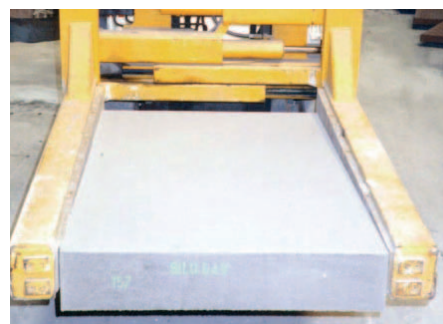
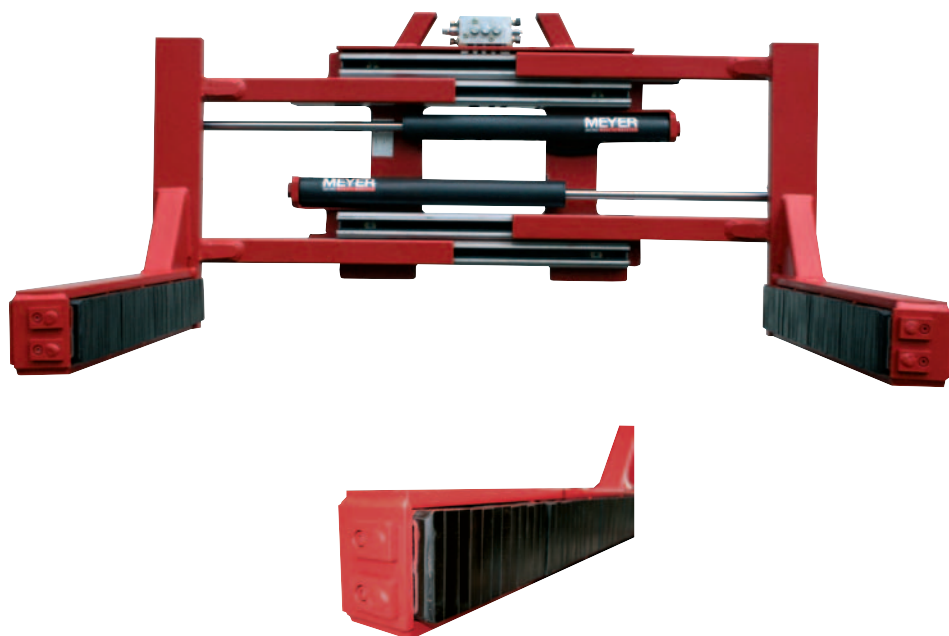




[*Brick and Block Clamp*]

3-12
with integral sideshift



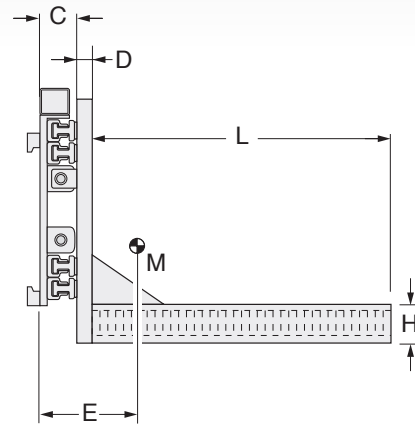
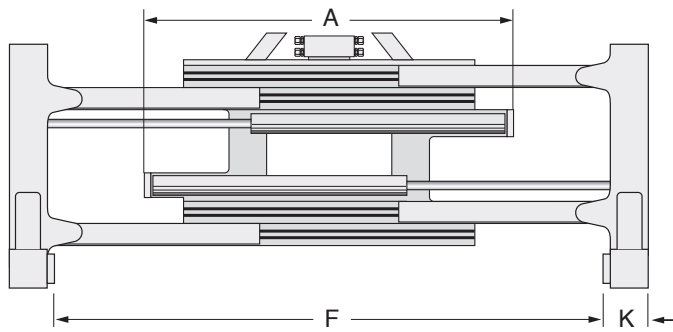
- ▶ **Hans H. MEYER Ltd.**
Unit 15 Haigh Park
Whitehill Ind. Est. Reddish
UK-Stockport SK4 1QR
- ▶ Tel +44 (0) 161 4806464
Fax +44 (0) 161 4804082



[Brick and Block Clamp]

with integral sideshift

The Meyer brick and block clamp is used to transport palletless packs of bricks (concrete, cavity blocks, kerbstones). The load arms are of box section construction and are fitted with sprung pressure plates to apply even pressure. The individual pressure plates also compensate for any misalignment of the load.



type	capacity	load centre	mounting class	for FLT	capacity max.	chassis width	opening range	arm width	arm height	arm length	arm carrier	l/c	cog	weight
	Q kg	lc mm	ISO class	t/c	A mm	F mm	K mm	H mm	L mm	D mm	C mm	E mm	M kg	
a	3-1204K	1800	500	2	2,5/500	1000	260-1430	135	150	1000	50	138	300	470
b	3-1204K	1800	500	2	2,5/500	1000	260-1430	135	150	1200	50	138	320	490
c	3-1204K	1800	500	2	2,5/500	1100	260-1530	135	150	1000	50	138	290	490
d	3-1204K	1800	500	2	2,5/500	1100	260-1530	135	150	1200	50	138	310	510
e	3-1204K	1800	500	2	2,5/500	1200	260-1630	135	150	1000	50	138	280	510
f	3-1204K	1800	500	2	2,5/500	1200	260-1630	135	150	1200	50	138	300	530
a	3-1207K	2200	500	3	3.0/500	1100	260-1530	140	160	1000	50	143	300	580
b	3-1207K	2200	500	3	3.0/500	1100	260-1530	140	160	1200	50	143	320	600
c	3-1207K	2200	500	3	3.0/500	1200	260-1630	140	160	1000	50	143	290	600
d	3-1207K	2200	500	3	3.0/500	1200	260-1630	140	160	1200	50	143	310	620
e	3-1207K	2200	500	3	3.0/500	1300	260-1730	140	160	1000	50	143	280	620
f	3-1207K	2200	500	3	3.0/500	1300	260-1730	140	160	1200	50	143	300	640
a	3-1208K	3000	500	3	4,0/500	1300	220-1690	140	160	1000	50	172	250	720
b	3-1208K	3000	500	3	4,0/500	1300	220-1690	140	160	1200	50	172	270	740
c	3-1208K	3000	500	3	4,0/500	1400	220-1790	140	160	1000	50	172	240	750
d	3-1208K	3000	500	3	4,0/500	1400	220-1790	140	160	1200	50	172	260	770
e	3-1208K	3000	500	3	4,0/500	1500	220-1890	140	160	1000	50	172	230	780
f	3-1208K	3000	500	3	4,0/500	1500	220-1890	140	160	1200	50	172	250	800

Important

- Additional hydraulics required
 - > one
 - > two, if sideshift required
- The unit has an integral sideshift with a pressure relief valve
- An adjustable pressure relief valve is included
- Including load bumper plates to protect the load
- Hydraulic flow: 3-1204K - 30 Ltr./min.
3-1207K - 40 Ltr./min.
3-1208K - 40 Ltr./min.

Options

available on request

- Other capacities, arm dimensions and opening ranges

Additional Cost for:

■ Separate, built-on sideshift

- ISO II, +/- 100 mm
- ISO III, +/- 100 mm

■ Integral design

(roller axles, chain anchors and carriage drawings must be supplied)

- ISO II
- ISO III

■ Load backrest

Typ 7-05xx

■ Quick disconnect lower hooks

- ISO II
- ISO III