

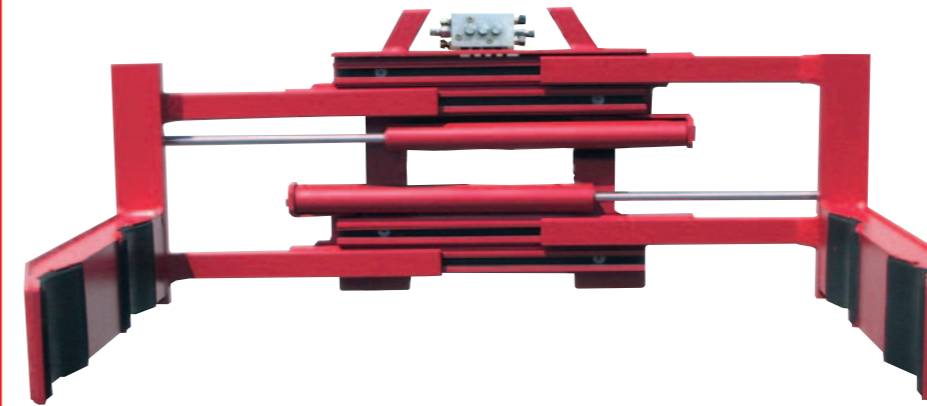


### [ Rotating Drum Clamp ]

5-09  
360°

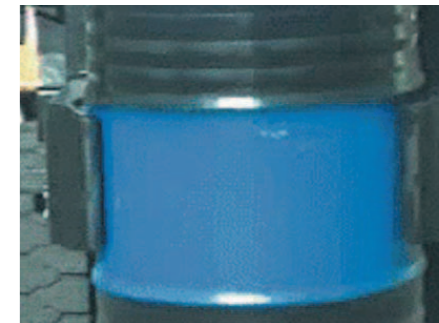


- ▶ **Hans H. MEYER Ltd.**  
Unit 15 Haigh Park  
Whitehill Ind. Est. Reddish  
UK-Stockport SK4 1QR
- ▶ Tel +44 (0) 161 4806464  
Fax +44 (0) 161 4804082



### [ Drum Clamp ]

3-09  
with integral sideshift



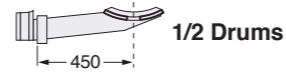
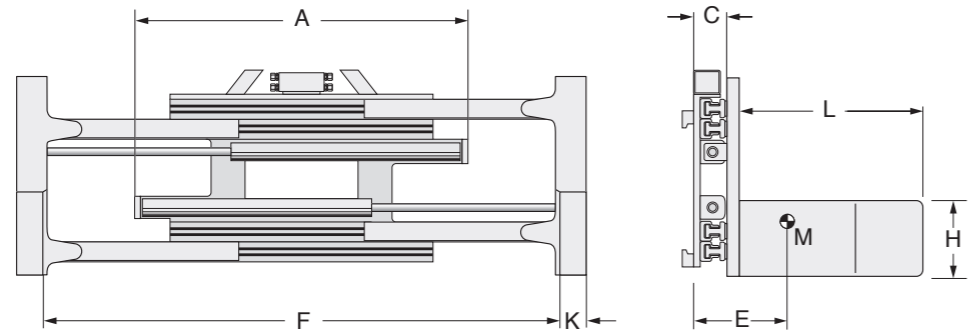
- ▶ **Hans H. MEYER Ltd.**  
Unit 15 Haigh Park  
Whitehill Ind. Est. Reddish  
UK-Stockport SK4 1QR
- ▶ Tel +44 (0) 161 4806464  
Fax +44 (0) 161 4804082



## [ Drum Clamp ] 1-2 Drums

with integral sideshift

The MEYER drum clamp can lift and safely transport 1/2, or 2/4 upright drums at a time (depending on the arm design). Rubber faced arms protect the drums from damage. The integral sideshift enables correct positioning of the load.

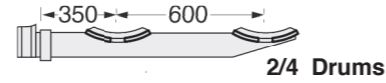


type	capacity	load centre	mounting class	for FLT	capacity max.	chassis width	opening range	number of pads	arm width	arm height	arm length	l/c		cog	weight
	Q kg	lc mm	ISO class	t/c	A mm	F mm	per arm	K mm	H mm	L mm	C mm	E mm	M kg		
a 3-0902K**	1250	450	2	1,5/500	880	360-1480	1	60	200	600	112	125	230		
b 3-0902K	1250	450	2	1,5/500	980	360-1580	1	60	200	600	112	120	245		

\*\*suitable for reach trucks

## [ Drum Clamp ] 2-4 Drums

with integral sideshift



type	capacity	load centre	mounting class	for FLT	capacity max.	chassis width	opening range	number of pads	arm width	arm height	arm length	l/c		cog	weight
	Q kg	lc mm	ISO class	t/c	A mm	F mm	per arm	K mm	H mm	L mm	C mm	E mm	M kg		
a 3-0902K**	700	650	2	1,5/500	880	360-1480	2	70	200	1150	112	245	270		
b 3-0902K	700	650	2	1,5/500	980	360-1580	2	70	200	1150	112	250	280		

\*\*suitable for reach trucks

### Important

- Additional hydraulics required > one > two, if sideshift required
- The unit has an integral sideshift with a pressure relief valve
- An adjustable pressure relief valve is included
- Pads rubber faced
- Hydraulic flow: 3-0902K - 20 Ltr./min.

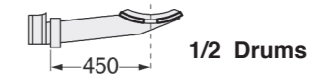
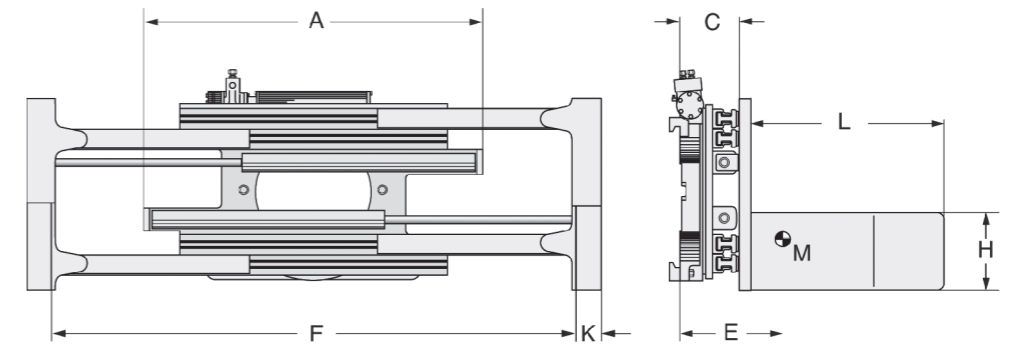
### Options on available request

- Other capacities, arm dimensions and opening ranges
- Additional Cost for:**
  - Separate, built-on sideshift** - ISO II, +/- 100 mm
  - Integral design** (roller axles, chain anchors and carriage drawings must be supplied) - ISO II
  - Load backrest** Type 7-05xx
  - Quick disconnect lower hooks** - ISO II
  - Centre arm**

## [ Rotating Drum Clamp ] 1-2 Drums

360° rotating

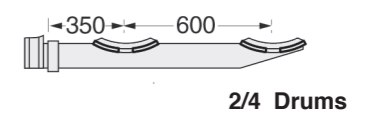
The rotating MEYER drum clamp can pick up 1/2 or 2/4 drums from a standing position (depending on arm design) and can be transported safely and damage free. The drums can be emptied sideways 360° in both directions with the rotator.



type	capacity	load centre	mounting class	for FLT	capacity max.	chassis width	opening range	number of pads	arm width	arm height	arm length	l/c		cog	weight
	Q kg	lc mm	ISO class	t/c	A mm	F mm	per arm	K mm	H mm	L mm	C mm	E mm	M kg		
a 5-0902K	1000	450	2	1,5/500	980	355-1575	1	60	200	600	198	135	380		

## [ Rotating Drum Clamp ] 2-4 Drums

360° rotating



type	capacity	load centre	mounting class	for FLT	capacity max.	chassis width	opening range	number of pads	arm width	arm height	arm length	l/c		cog	weight
	Q kg	lc mm	ISO class	t/c	A mm	F mm	per arm	K mm	H mm	L mm	C mm	E mm	M kg		
a 5-0902K	700	650	2	1,5/500	980	355-1575	2	70	200	1150	198	220	425		

### Important

- Additional hydraulics required > two
- An adjustable pressure relief valve is included
- Pads rubber faced
- Hydraulic flow: 5-0902K - 20 Ltr./min.

### Options on available request

- Other capacities, arm dimensions and opening ranges
- Additional Cost for:**
  - Separate, built-on sideshift** (Further additional hydraulic or solenoid required) - ISO II, +/- 100 mm
  - Solenoid valve**
  - Solenoid valve control kit** (cable drum, push button, relay)
  - Quick disconnect lower hooks** - ISO II
  - Motor and brake protection**