

**Australia,  
New Zealand**  
MEYER Australia  
Bolzoni Auramo Pty Ltd.  
P.O. Box 7198  
Baulkham Hills DC NSW 2153  
Tel. +61 (0) 409 173521  
Fax +61 (0) 2 9659 2225



**Austria**  
Ing. M. Schurz GesmbH  
Doblerstraße 10  
A-8141 Unterpremstätten  
Tel. +43 (0) 3136 53158  
Fax +43 (0) 3136 52381



**BeNeLux  
Belgium, Netherlands  
Luxemburg**  
Meyer Benelux B.V.  
Speldenmakerstraat 10b  
NL-5232 BG 's-Hertogenbosch  
Tel. +31 (0) 73 64 000 51  
Fax +31 (0) 73 64 000 54



**Chile**  
BA Energia SA  
Carretera General San Martin 7000  
Las Canteras Colina  
Santiago de Chile  
Chile  
Tel. +56 92 733 5524  
Fax +56 92 733 5524



**(The) Czech Republic  
Slovakia**  
Hans H. Meyer Czechoslovak  
spol. s.r.o.  
Moskevská 24a  
CS-73601 Havířov-Mesto  
Tel. +42 (0) 59 6411161-2  
Fax +42 (0) 59 6411161-2



**Denmark, Norway,  
Sweden, Faroe Island,  
Iceland**  
MEYER Scandinavia AB  
Strandbadsvägen 19 A  
S-25229 Helsingborg  
Tel. +46 - (42) 137690  
Fax +46 - (42) 137692



**Finland**  
Hymatic OY  
Konttisentie 8  
40800 Vaajakoski  
FINLAND  
Tel. +358 400 646345  
Fax +358 420 646345



**France**  
MEYER Sarl  
Z.A. La Butte  
3, Rue Gutenberg  
F - 91620 Nozay  
Tel. +33 (0) 1 64493378  
Fax +33 (0) 1 64493004



**Germany**  
Hans H. MEYER GmbH  
Gittertor 14  
D-38259 Salzgitter  
Tel. +49 - (0) 5341 803-0  
Fax +49 - (0) 5341 803-195



**Hungary**  
MEYER HUNGÁRIA KFT  
Rézsű u. 41  
H -1029 Budapest  
Tel. +36 (06)13 765584  
Fax +36 (06)13 765584



**India**  
Factory Products  
17/3, 3rd floor,  
J.C. Road Cross  
560002 Bangalore / Indien  
Tel. +91 80 22128463  
Fax +91 80 41519292



**Indonesia**  
PT A&T engineering  
Jl. Raden Inten No. 66 F  
Jakarta Timur - 13440  
Tel. +62 (21) 86612611  
Tel. +62 (21) 86612612  
Fax +62 (21) 8630040



**Italy**  
MEYER ITALIA S.R.L.  
Via del Mandorlo, 28  
I-59100 Prato / Italy  
Tel. +39 0574 571353  
Fax +39 0574 571517  
<http://www.meyeritalia.it>



**Poland**  
MEYER Polska  
ul. Rymarkiewicza 16  
PL 60-681 Poznań  
Tel./Fax +48 (0) 61 8283339  
Mobil +48 (0) 604 081877



**Portugal**  
MEYER Portugal  
Parque Industrial Vale  
do Alecrim Lote 108  
2950-403 Palmela  
Tel. +351 - 21 238 7340  
Fax +351 - 21 238 7349



**Singapore,  
Malaysia, Thailand**  
RFA Industries Pty. Ltd.  
3 Joo Koon Road  
Singapore 628978  
Tel. +65 6862 3011  
Fax +65 6862 3083



**Spain**  
MEYER Ibérica  
C/ Vallés, 58  
08820 El Prat de Llobregat  
Tel. +34 (93) 478 80 50  
Fax +34 (93) 370 09 60



**Switzerland**  
Sales office  
Friedrichshafen  
Lindenstraße 74  
D-88046 Friedrichshafen  
Tel. +49 - (0) 7541 32200  
Fax +49 - (0) 7541 33100



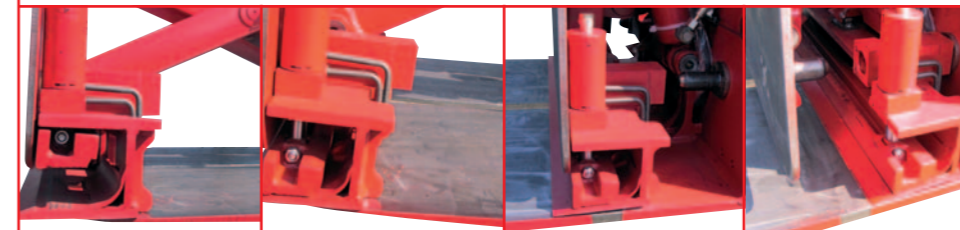
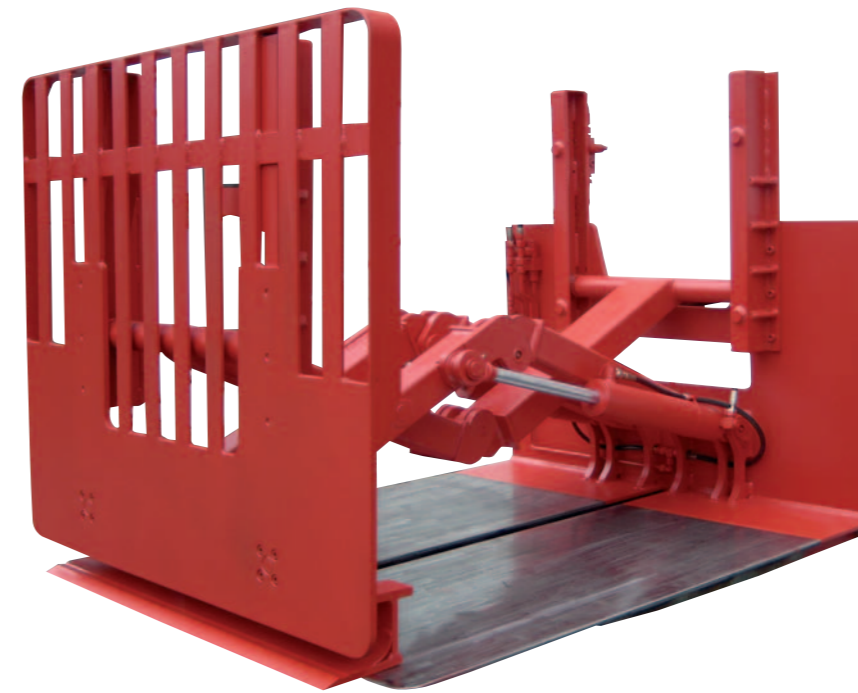
**Turkey**  
MEYER İstanbul  
Kadosan Sanayi Sitesi  
c blok no: 17  
1. esenşehir, Y.dudullu  
Ümraniye-İstanbul  
Tel. +90 - (0) 216 420 62 20  
Fax +90 - (0) 216 420 62 72



**UK, Ireland**  
Hans H. Meyer Ltd.  
Unit 15, Haigh Park,  
Whitehill Ind. Est., Reddish,  
UK - Stockport SK4 1QR  
Tel. +44 (0)161 4806464  
Fax +44 (0)161 4804082



**Hans H. MEYER GmbH**  
Gittertor 14  
D-38259 Salzgitter  
Tel. +49 - (0) 5341 803-0  
Fax +49 - (0) 5341 803-195  
[www.meyer-world.com](http://www.meyer-world.com)  
[info@meyer-sz.de](mailto:info@meyer-sz.de)



- ▶ **Hans H. MEYER Ltd.**  
Unit 15 Haigh Park  
Whitehill Ind. Est. Reddish  
UK-Stockport SK4 1QR
- ▶ Tel +44 (0) 161 4806464  
Fax +44 (0) 161 4804082

**[ Load Push-Pull ]**

**1-25**  
high performance model  
with ISO mounting

**[ Load Push Unit ]**

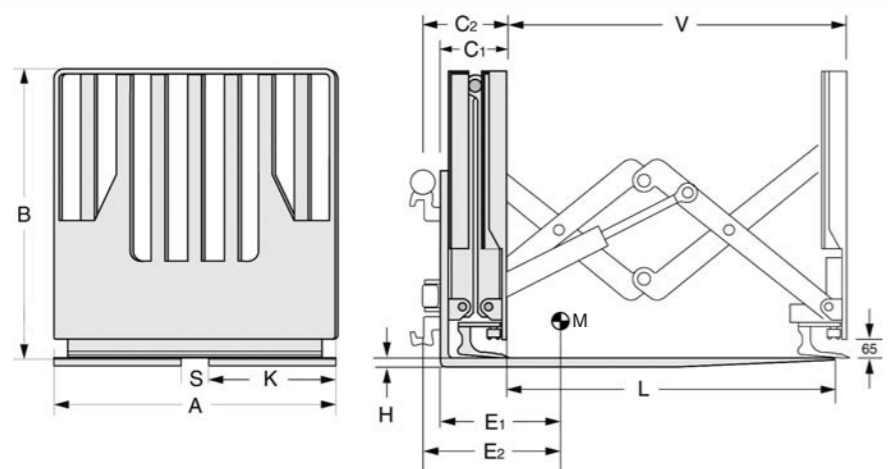
**1-20**  
High performance model  
with ISO mounting



## [ Load Push-Pull ]

High performance model with ISO mounting

The Meyer load push-pull is mainly used for loading/unloading goods in containers on space-saving slip-sheets. The slip-sheet and load are pulled onto the fixed platens by a front gripper bar mechanism for travelling and then pushed forward again to load. The unit can also be fitted with sheet retention (no additional hydraulics required) so whilst pushing the load forward the sheet can be retained in the gripper bar to be reused.



type	Q kg	Ic mm	ISO class	t/lc	capacity		K mm	L mm	H mm	S mm	A mm	B mm	V mm	C1 mm	E1 mm	M kg	
					load centre	mounting class for FLT capacity max.											
<b>Specification with built-on sideshift, ISO class 2, sideshift per side: 100 mm</b>																	
a	1-2502N	1000	500	2/3	3,0/500	2x575	1000	20	50	1200	930	1050	230	220	590		
b	1-2502N	1000	600	2/3	3,0/500	2x475	1200	20	50	1000	1050	1250	230	250	620		
c	1-2502N	1000	600	2/3	3,0/500	2x575	1200	20	50	1200	1050	1250	230	260	640		
a	1-2503N	1500	500	2/3	3,0/500	2x575	1000	25	50	1200	930	1050	235	240	650		
b	1-2503N	1500	600	2/3	3,0/500	2x475	1200	25	50	1000	1050	1250	235	260	690		
c	1-2503N	1500	600	2/3	3,0/500	2x575	1200	25	50	1200	1050	1250	235	280	750		
<b>Specification with built-on sideshift, ISO class 3, sideshift per side: 100 mm</b>																	
d	1-2502N	1000	500	2	2,5/500	2x575	1000	20	50	1200	930	1050	277	260	620		
e	1-2502N	1000	600	2	2,5/500	2x475	1200	20	50	1000	1050	1250	277	280	650		
f	1-2502N	1000	600	2	2,5/500	2x575	1200	20	50	1200	1050	1250	277	290	670		
d	1-2503N	1500	500	2	2,5/500	2x575	1000	25	50	1200	930	1050	282	280	690		
e	1-2503N	1500	600	2	2,5/500	2x475	1200	25	50	1000	1050	1250	282	300	730		
f	1-2503N	1500	600	2	2,5/500	2x575	1200	25	50	1200	1050	1250	282	320	790		
g	1-2502N	1000	500	3	3,0/500	2x575	1000	20	50	1200	930	1050	277	260	620		
h	1-2502N	1000	600	3	3,0/500	2x475	1200	20	50	1000	1050	1250	277	280	650		
i	1-2502N	1000	600	3	3,0/500	2x575	1200	20	50	1200	1050	1250	277	290	670		
g	1-2503N	1500	500	3	3,0/500	2x575	1000	25	50	1200	930	1050	282	280	690		
h	1-2503N	1500	600	3	3,0/500	2x475	1200	25	50	1000	1050	1250	282	300	730		
i	1-2503N	1500	600	3	3,0/500	2x575	1200	25	50	1200	1050	1250	282	320	790		

### Important

- Additional hydraulics required > one - two if sideshift required
- Hydraulic flow: 30 l/min

### Options

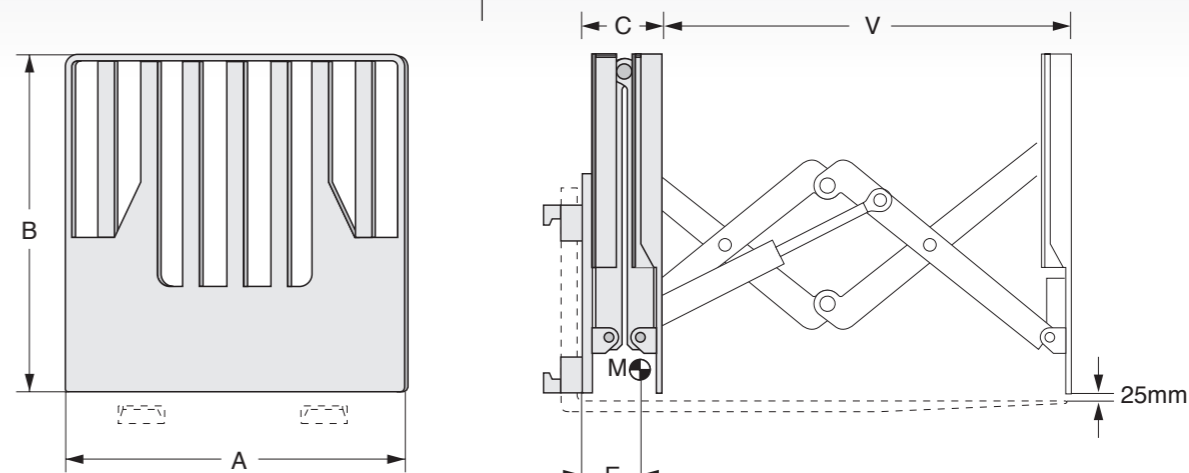
available on request

- Sheet retention (additional cost)  
No additional hydraulics required  
(no change to technical data above)
- Unit can be fork-mounted
- Other special designs

## [ Load Push Unit ]

High performance model with ISO mounting

The MEYER load push unit can push loads (cases, cartons or dies, for example) forward either directly from the forks or from a suitable pallet.



type	Q kg	t/lc	ISO class	mm	A mm	B mm	V mm	C mm	E mm	M kg	
											capacity for FLT capacity max.
a	1-2002N	1000	2,5/500	2	120x40x1100	1200	850	850	230	150	335
b	1-2002N	1000	2,5/500	2	120x40x1300	1200	850	1050	230	150	350
c	1-2002N	1000	2,5/500	2	120x40x1500	1000	1070	1250	230	150	370
a	1-2003N	1500	3,0/500	2/3	140x50x1100	1200	850	850	230	150	370
b	1-2003N	1500	3,0/500	2/3	140x50x1300	1200	850	1050	230	150	380
c	1-2003N	1500	3,0/500	2/3	140x50x1500	1000	1070	1250	230	150	390
d	1-2003N	1500	3,0/500	2/3	140x50x1500	1200	1070	1250	230	150	400
a	1-2006N	3000	4,0/500	2/3	150x60x1300	1200	1200	1000	300	210	670

### Important

- Additional hydraulics required > one
- \*Forks not included
- Hydraulic flow: 30 Ltr./min.

### Options

available on request

- Forks
- Further designs