

>> The correct coating for all applications (*standard: metal-grain pattern)



>> **3-D position sensor**
For optimum handling of rolls to avoid roll edge damage.

>> **Mast tilt sensor**
Clear display for mast positioning.



>> **Pressure test device**
For adjustment of the surface pressure and the cylinder power dependent on the operating pressure.

>> Simple testing between rolls and pad.



>> **3-Pressure selection switch**
Mechanical control. Simple change of clamping pressure.

>> **Pressure gauge**
For testing the clamping pressure.



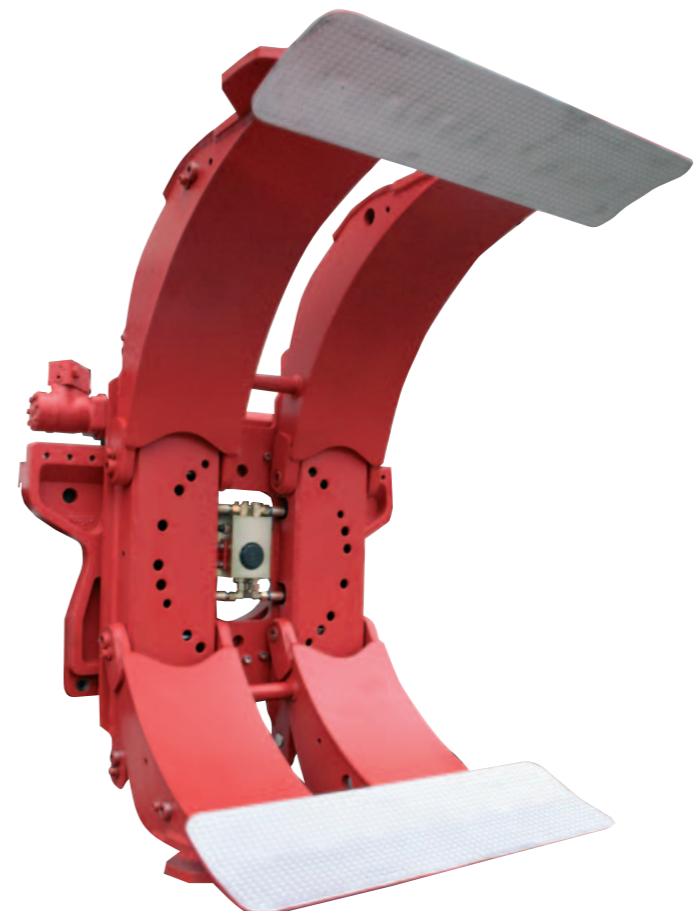
>> **4-Pressure selection switch**
Electronic control. For pressure adjustment for various roll diameters and paper qualities.

>> **4-colour display**
The clear indication of preset clamping pressures.



>> **Roll protector**
The optimum roll and edge protection.

>> **Wear and tear protection**
Available for protecting the short arm when handling horizontal rolls.



[Paper Roll Clamp]

5-22
360° rotating



► **Hans H. MEYER Ltd.**
Unit 15 Haigh Park
Whitehill Ind. Est. Reddish
UK-Stockport SK4 1QR

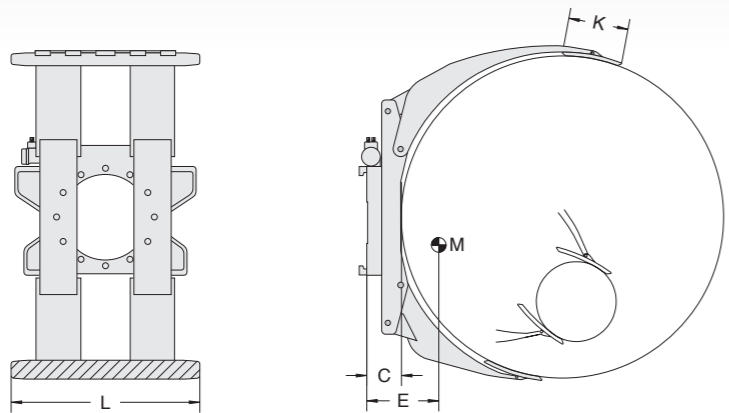
► Tel +44 (0) 161 4806464
Fax +44 (0) 161 4804082

[Paper Roll Clamp 360°]

360° rotating

The MEYER 360° rotating paper roll clamp is suitable for lifting horizontal or vertical paper rolls in a large range of diameters. The thin profile contact pad arms prevent damage to the rolls and allow for compact stacking and retrieving. The clamp uses the proven MEYER rotor with its direct worm/ring gear drive and clutch brake system. The 360° rotation prevents roll edge damage when placing rolls down onto surfaces that are not level.

NEW



capacity Ap=150 bar
mounting class
for FLT capacity max.

short arm
roll range
pad size
l/c cog weight

type	Q kg	ISO class	t/lc	fixed/hydr. actuated	Ø mm	LxK mm	C mm	E mm	M kg
a 5-2101H	1400	2	2,0/500	fixed	300-1150	680x200	136	230	345
b 5-2101H	1300	2	2,0/500	fixed	400-1300	680x200	136	245	360
c 5-2101H	1800	2	2,5/500	fixed	400-1300	680x200	151	250	420
d 5-2101H-A	1300	2	2,0/500	hydr. actuated	250-1300	680x200	136	245	400
e 5-2101H-A	1800	2	2,5/500	hydr. actuated	250-1300	680x200	151	250	470
a 5-2201F-A	1800	2	2,0/500	hydr. actuated	220-1150	700x220	180	225	420
b 5-2201F	1800	2	2,0/500	fixed	400-1150	700x220	180	220	410
c 5-2201F-A	1600	2	2,0/500	hydr. actuated	250-1300	700x220	180	240	475
d 5-2201F	1600	2	2,0/500	fixed	450-1300	700x220	180	236	465
a 5-2202F-A	1800	3	3,0/500	hydr. actuated	220-1150	700x220	188	215	510
b 5-2202F	1800	3	3,0/500	fixed	400-1150	700x220	188	210	500
c 5-2202F-A	1600	3	3,0/500	hydr. actuated	250-1300	700x220	188	220	535
d 5-2202F	1600	3	3,0/500	fixed	450-1300	700x220	188	215	520
a 5-2203N	2000	2/3	3,0/500	fixed	220-1150	700x220	180	215	470
b 5-2203F-A	2200	2/3	3,0/500	hydr. actuated	250-1300	700x220	188	245	555
c 5-2203F	2200	2/3	3,0/500	fixed	450-1300	700x220	188	225	535
d 5-2203F-A	2000	2/3	3,0/500	hydr. actuated	250-1450	700x220	188	245	605
e 5-2203F	2000	2/3	3,0/500	fixed	500-1450	700x220	188	240	585
f 5-2203N-B	1500	2/3	3,0/500	hydr. actuated	250-1600	700x220	180	255	615
g 5-2203N-B	1400	2/3	3,0/500	hydr. actuated	300-1750	700x220	180	320	690
a 5-2204F-A	2500	2/3	3,5/500	hydr. actuated	250-1300	800x250	200	265	695
b 5-2204F	2500	2/3	3,5/500	fixed	450-1300	800x250	200	255	680
c 5-2204F-A	2200	2/3	3,5/500	hydr. actuated	250-1450	800x250	200	270	755
d 5-2204F	2200	2/3	3,5/500	fixed	500-1450	800x250	200	260	740
e 5-2204F-A	2000	2/3	3,5/500	hydr. actuated	250-1600	800x250	200	290	795
f 5-2204F	2000	2/3	3,5/500	fixed	500-1600	800x250	200	280	775
g 5-2204N-A	1900	2/3	3,5/500	hydr. actuated	300-1750	800x250	185	210	740
h 5-2204N-A	1800	2/3	3,5/500	hydr. actuated	350-1900	800x250	185	325	870
a 5-2205F-A	3000	3	4,0/500	hydr. actuated	250-1300	800x250	207	240	755
b 5-2205F	3000	3	4,0/500	fixed	450-1300	800x250	207	245	745
c 5-2205F-A	2900	3	4,0/500	hydr. actuated	250-1450	800x250	207	250	780
d 5-2205F	2900	3	4,0/500	fixed	500-1450	800x250	207	245	775
e 5-2205F-A	2800	3	4,0/500	hydr. actuated	250-1600	800x250	207	280	845
f 5-2205F	2800	3	4,0/500	fixed	520-1600	800x250	207	270	840
g 5-2205N-A	2300	3	4,0/500	hydr. actuated	350-1900	800x250	195	315	920
a 5-2206F-A	3500	3/4	4,5/600	hydr. actuated	250-1300	900x250	217	245	885
b 5-2206F	3500	3/4	4,5/600	fixed	450-1300	900x250	217	240	880
c 5-2206N-B	3300	3/4	4,5/600	hydr. actuated	250-1450	900x250	200	280	940
d 5-2206F-A	3200	3/4	4,5/600	hydr. actuated	250-1600	900x250	217	295	980
e 5-2206F	3200	3/4	4,5/600	fixed	520-1600	900x250	217	290	960

[Paper Roll Clamp 360°] 360° rotating

type	Q kg	ISO class	t/lc	fixed/hydr. actuated	Ø mm	LxK mm	l/c	cog	weight
a 5-2207N-B	4000	4	5,0/600	hydr. actuated	250-1300	1000x250	210	265	1100
b 5-2207N	4000	4	5,0/600	fixed	400-1300	1000x250	210	260	1000
c 5-2207F-A	3800	3/4	5,0/600	hydr. actuated	250-1450	1000x280	212	285	1050
d 5-2207F-A	3500	3/4	5,0/600	hydr. actuated	250-1600	1000x280	222	315	1080
e 5-2207F	3500	3/4	5,0/600	fixed	560-1600	1000x280	222	310	1070
f 5-2207N-B	3300	4	5,0/600	hydr. actuated	300-1750	1000x250	210	330	1270
g 5-2207N-B	3000	4	5,0/600	hydr. actuated	350-1900	1000x250	210	340	1325
h 5-2207N-B	2800	4	5,0/600	hydr. actuated	400-2050	1000x250	210	355	1310
a 5-2208F-A	4500	4	6,0/600	hydr. actuated	250-1300	1200x280	240	290	1250
b 5-2208F	4500	4	6,0/600	fixed	500-1300	1200x280	240	285	1240
c 5-2208F-A	4000	4	6,0/600	hydr. actuated	250-1600	1200x280	230	320	1260
d 5-2208F	4000	4	6,0/600	fixed	560-1600	1200x280	230	315	1250
e 5-2208F-A	4300	4	6,0/600	hydr. actuated	250-1600	1200x280	240	330	1380
f 5-2208F	4300	4	6,0/600	fixed	560-1600	1200x280	240	325	1355
g 5-2208N-B	4000	4	6,0/600	hydr. actuated	300-1750	1050x275	215	335	1450
h 5-2208N-B	3800	4	6,0/600	hydr. actuated	350-1900	1050x275	215	340	1475
i 5-2208F-A	3500	4	6,0/600	hydr. actuated	550-2050	1200x280	250	385	1680
j 5-2208F	3500	4	6,0/600	fixed	700-2050	1200x280	250	380	1670
a 5-2209F-A	4500	4	6,0/600	hydr. actuated	250-1500	1200x280	240	300	1385
b 5-2209F	4500	4	6,0/600	fixed	560-1500	1200x280	240	295	1370
a 5-2210F-A	6000	4	8,0/600	hydr. actuated	400-1300	1300x300	240	280	1355
b 5-2210F	6000	4	8,0/600	fixed	550-1300	1300x300	240	265	1335
c 5-2210F-A	5500	4	8,0/600	hydr. actuated	500-1600	1300x300	240	330	1450
d 5-2210F	5500	4	8,0/600	fixed	800-1600	1300x300	240	315	1430
e 5-2210N-B	5300	4	8,0/600	hydr. actuated	400-1750	1050x275	230	350	1670
f 5-2210F-A	4500	4	8,0/600	hydr. actuated	600-1900	1300x300	240	380	1570
g 5-2210F	4500	4	8,0/600	fixed	870-1900	1300x300	240	370	1530
a 5-2212N-B	7000	4	10,0/600	hydr. actuated	400-1600	1200x325	250	340	2000
b 5-2212N	6300	4	10,0/600	fixed	700-1900	1200x325	250	405	2050
c 5-2212F-A	5500	4	10,0/600	hydr. actuated	600-2200	1400x350	300	465	2410
d 5-2212F	5500	4	10,0/600	fixed	900-2200	1400x350	300	460	2395

Important

- Additional hydraulics required > two
- An adjustable pressure relief valve is included
- Standard pad facings metal grain
- Mast tilt is required for the handling of horizontal rolls
Generation N: 5°, Generation F: 3,5°, Generation H: 0°
(Generation H has 1.5 deg. forward tilt in the attachment)
- Short arm: Type **A** = adjustable at 45° only / **B** = adjustable in any position
- Truck pressure must be 150 bar. Lower pressures can reduce clamp capacity.
- Hydraulic flow:

5-2101H, 5-2201F, 02F	- 20 Ltr./min.
5-2203N/F	- 25 Ltr./min.
5-2204N/F, 05N/F	- 30 Ltr./min.
5-2206N/F	- 40 Ltr./min.
5-2207N/F, 08N/F, 09F	- 50 Ltr./min.
5-2210N/F, 12N/F	- 60 Ltr./min.

* not available for Generation H

Options available on request

- Other capacities and roll diameters
- **Additional Cost for: Separate, built-on sideshift**
(Further additional hydraulic or solenoid required)
 - ISO II, +/- 100 mm *
 - ISO III, +/- 100 mm *
 - ISO IV, +/- 100 mm *
- **Solenoid valve**
- **Solenoid valve control kit**
(cable drum, push button, relay)
- **Quick disconnect lower hooks**
 - ISO II
 - ISO III *
- **Setting of rotation range 180° ***
- **Pad facing**
 - Rubber 10 mm
 - Rubber 20 mm *
 - Diamond shaped rubber 10 mm *
 - Polyurethane
 - Metal Grit H30/24/16 *
 - Chequer facing *
 - More on request
- **Additional wear plate for short arm ***
(optional extra)