

[Foundry Application]

Additional specification →



■ Foundry Application

Foundry 1 (example: heavy duty metal works)
Motor/brake protection
Grease inspection facility

up to Typ 5-xx08
up to Typ 5-xx12
up to Typ 5-xx18

Foundry 2 (example: protect against aggressive chemicals, grinding dust, swarf, power washing)
As spec. 1, but in addition
Protective inner tube (no impaired visibility)

up to Typ 5-xx08
up to Typ 5-xx12
up to Typ 5-xx18

Foundry 3 (example: ladle pouring)
As spec. 1, but in addition
Carriage closed from front and rotator from the rear

up to Typ 5-xx08
up to Typ 5-xx12
up to Typ 5-xx18

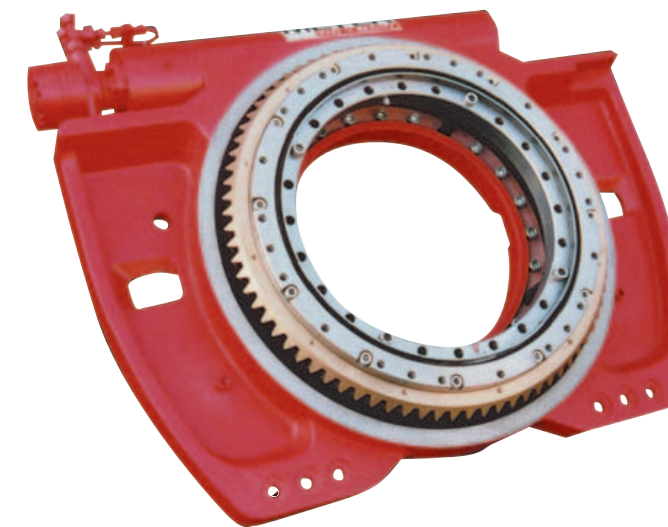
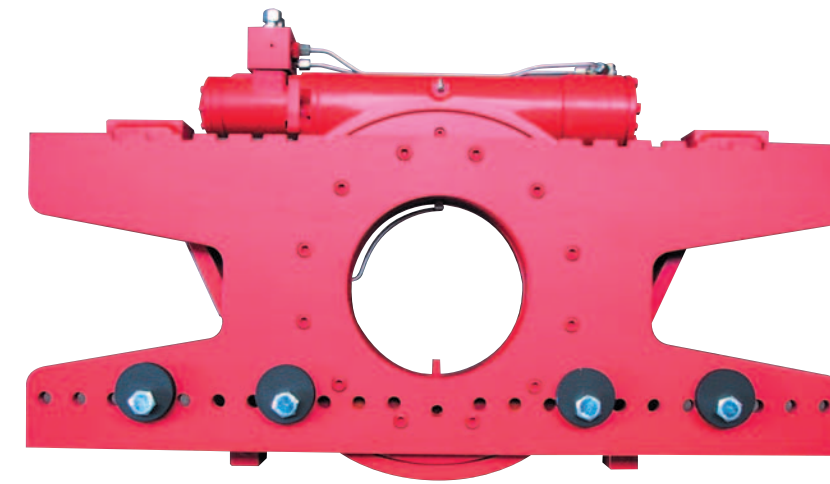
■ In addition **Foundry 2 and 3** the following options are available:

Option 1: inner and outer ring cover
(example: protection against sand)

up to Typ 5-xx12
up to Typ 5-xx18

Option 2: Heat-resistant grease for bearing
(example: high temperature)

all types



[Rotator]

5-15
360° rotating, with carriage
for ISO-Forks



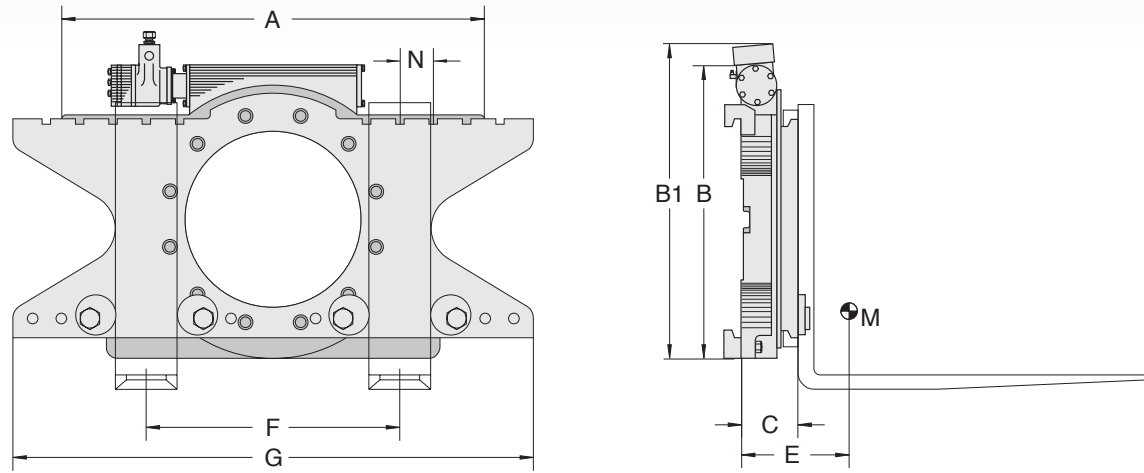
- ▶ **Hans H. MEYER Ltd.**
Unit 15 Haigh Park
Whitehill Ind. Est. Reddish
UK-Stockport SK4 1QR
- ▶ Tel +44 (0) 161 4806464
Fax +44 (0) 161 4804082



[Rotator 360°]

360° rotating, with carriage for ISO-Forks

The direct worm/ring gear drive and clutch brake system of the MEYER 360° rotator is proven to be the best in arduous applications and as standard is protected against dust and dirt. Options are available for heavy duty and also foundry protection. The unit has continuous rotation in both directions to empty containers with enclosed fork pockets. The forks are manually adjustable and can be locked in position.



type	Q kg	Lc mm	ISO class	t/lcmm	A mm	B mm	B1 mm	G mm	F mm	N mm	Nm	C mm	E mm	M kg		
a	5-1502N	1600	500	2	1,8/500	900	541	593	790	2	110-560	45	4400	114	50	180
b	5-1502N	1600	500	2	1,8/500	900	541	593	880	2	110-650	45	4400	114	54	185
a	5-1504N	2000	500	2	2,5/500	900	541	593	880	2	110-650	45	7000	114	55	180
b	5-1504N	2000	500	2	2,5/500	900	541	593	970	2	110-740	45	7000	114	60	185
c	5-1504N	2000	500	2	2,5/500	900	541	593	1060	2	110-830	45	7000	114	60	190
a	5-1505N	2500	500	2	2,5/600	950	665	730	830	2	420-600	45	8800	119	50	255
b	5-1505N	2500	500	2	2,5/600	950	665	730	920	2	150-690	45	8800	144	65	290
c	5-1505N	2500	500	2	2,5/600	950	665	730	920	2	420-690	45	8800	119	53	260
d	5-1505N	2500	500	2	2,5/600	950	665	730	1010	2	420-780	45	8800	119	55	265
e	5-1505N	2500	500	2	2,5/600	950	665	730	1100	2	420-870	45	8800	119	55	270
f	5-1505N	2500	500	2	2,5/600	950	665	730	1190	2	420-960	45	8800	119	57	280
g	5-1505N	2500	500	2	2,5/600	950	665	730	1280	2	420-1050	45	8800	119	59	290
a	5-1506N	2700	500	3	3,0/500	950	665	730	970	3	320-720	50	8800	129	60	295
b	5-1506N	2700	500	3	3,0/500	950	665	730	1070	3	120-820	50	8800	154	75	335
c	5-1506N	2700	500	3	3,0/500	950	665	730	1070	3	320-820	50	8800	129	62	305
d	5-1506N	2700	500	3	3,0/500	950	665	730	1170	3	320-920	50	8800	129	63	315
e	5-1506N	2700	500	3	3,0/500	950	665	730	1270	3	320-1020	50	8800	129	64	325
a	5-1507N	3800	500	3	4,0/500	950	719	773	970	3	320-720	50	10800	142	60	350
b	5-1507N	3800	500	3	4,0/500	950	719	773	1070	3	120-820	50	10800	162	75	405
c	5-1507N	3800	500	3	4,0/500	950	719	773	1070	3	320-820	50	10800	142	63	365
d	5-1507N	3800	500	3	4,0/500	950	719	773	1170	3	320-920	50	10800	142	66	380
e	5-1507N	3800	500	3	4,0/500	950	719	773	1270	3	320-1020	50	10800	142	62	390
a	5-1508N	4000	600	3	4,5/600	1100	786	850	1050	3	500-800	50	13000	149	62	430
b	5-1508N	4000	600	3	4,5/600	1100	786	850	1150	3	200-900	50	13000	179	90	496
c	5-1508N	4000	600	3	4,5/600	1100	786	850	1150	3	500-900	50	13000	149	67	455
d	5-1508N	4000	600	3	4,5/600	1100	786	850	1250	3	500-1000	50	13000	149	73	505
a	5-1510N	4500	600	4	5,0/600	1000	881	930	1080	4	480-680	50	13100	157	70	490
b	5-1510N	4500	600	4	5,0/600	1000	881	930	1180	4	480-780	50	13100	157	73	520
c	5-1510N	4500	600	4	5,0/600	1000	881	930	1280	4	480-880	50	13100	157	80	550
d	5-1510N	4500	600	4	5,0/600	1000	881	930	1480	4	480-1080	50	13100	157	76	595
a	5-1512N	5500	600	4	6,0/600	1000	881	930	1280	4	480-880	50	20000	157	70	560
b	5-1512N	5500	600	4	6,0/600	1000	881	930	1480	4	480-1080	50	20000	157	72	600
c	5-1512N	5500	600	4	6,0/600	1000	881	930	1680	4	480-1280	50	20000	162	84	640

[Rotator 360°] 360° rotating, ISO-Forks

type	Q kg	LSP mm	ISO class	t/lcmm	A mm	B mm	B1 mm	G mm	F mm	N mm	Nm	C mm	E mm	M kg		
a	5-1514N	7000	600	4	8,0/600	1000	881	930	1280	4	580-880	50	22000	162	80	760
b	5-1514N	7000	600	4	8,0/600	1000	881	930	1480	4	580-1080	50	22000	162	85	780
c	5-1514N	7000	600	4	8,0/600	1000	881	930	1680	4	580-1280	50	22000	167	80	800
a	5-1518N	8000	800	4	8,0/900	1200	915	915	1480	4	580-1080	50	24400	198	95	790
b	5-1518N	8000	800	4	8,0/900	1200	915	915	1680	4	580-1280	50	24400	198	101	870
c	5-1518N	8000	800	4	8,0/900	1200	915	915	1880	4	580-1480	50	24400	198	107	980

Important

- Additional hydraulics > one for rotation
- A pressure relief valve is included
- For use with truck forks (large bottom hooks recommended)
- For Meyer forks see below
- Side grease nipple for bearing included
- Hydraulic flow: type 5-1502N - 20 l/min
5-1504N/05N/06N - 30 l/min
5-1507N/08N - 40 l/min
5-1510N/12N - 50 l/min
5-1514N/18N - 60 l/min

Options

- available on request
- Other carriage widths
 - Rotator with bolt-on forks available
 - Rotator with clamping device
- Additional Cost for:**
- Indication for 0° positioning
 - Top & side support arms up to type 5-xx08
 - Motor and Brake protection
 - Dual drive
 - Built-on sideshift
- Fisheries Specification**
- Cast housing
 - External grease facility
 - Water release function
 - Galvanised bolts with Silicon-sealed drill holes
 - seawater-resistant 3-layers varnish
 - galvanised fork carrier

[ISO-Forks for Rotators] including large bottom hooks

type	section mm	length mm	ISO class
5-1502N	100 x 40	1200	2A/2B
5-1504N	120 x 40	1200	2A/2B
5-1505N	125 x 45	1200	2A/2B
5-1506N	125 x 45	1200	3A/3B
5-1507N	120 x 50	1200	3A/3B
5-1508N	140 x 50	1200	3A/3B
5-1510N	150 x 60	1200	4A/4B
5-1512N	150 x 60	1200	4A/4B
5-1514N	150 x 70	1200	4A/4B
5-1518N	on request		